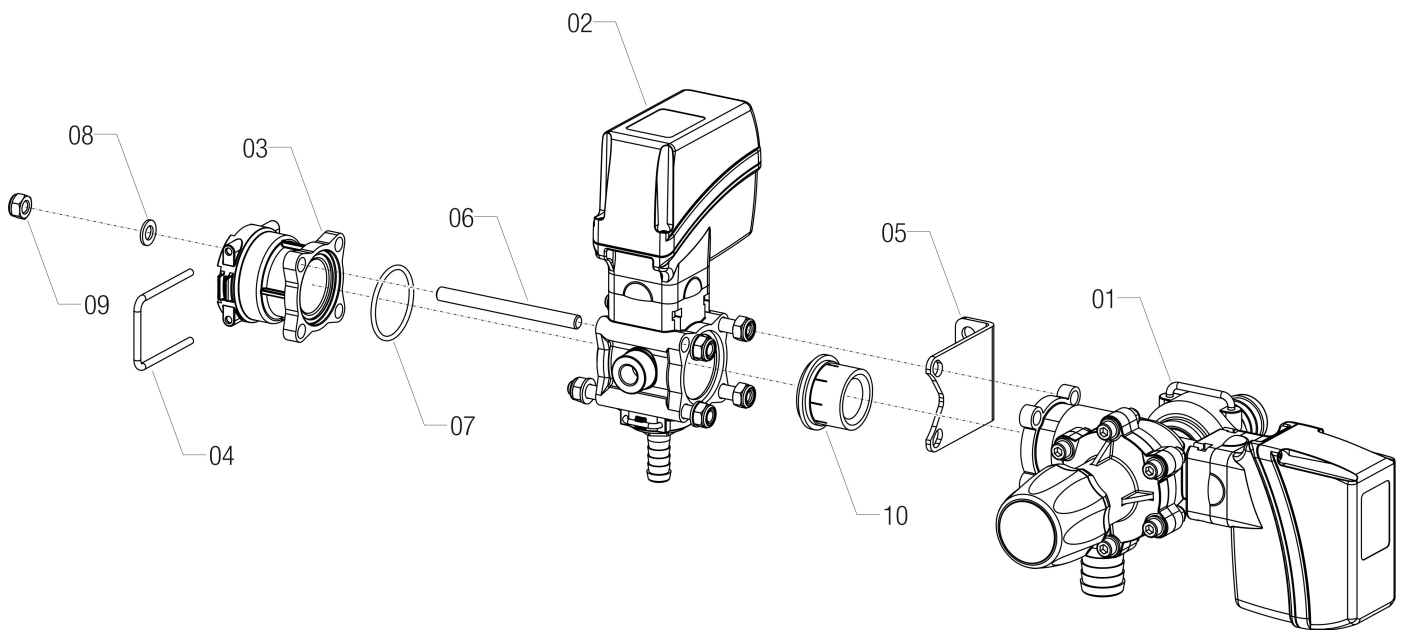


871520F50**MAIN CONTROL VALVES 871***Main control valve with electric proportional valve and T5 fork connector*

REFERENCE	CODE	DESCRIPTION
01	8710502	EL.MAIN VALVE 180 L/M 20B
02	8630024	PROP. UNIT 150L/M
03	463000.157	T5F ADAPTOR FOR VALVES 463
04	010005	FORK D.3 DIST.42
05	463911.100	UNIT PLATE 463-473 H.65 INOX

REFERENCE	CODE	DESCRIPTION
06	463900.914	ASSEMBLING KIT M8X 95 1P INOX
07	G10071V	OR 2,62X39,34 VITON
08	B202H0	FLAT WASHER 8,4X15X1,5 INOX
09	B12251	SELF-LOCKING NUT M8 INOX UNI7474
10	471202.029	MALE FLANGE X VALVE HOSE 471/463