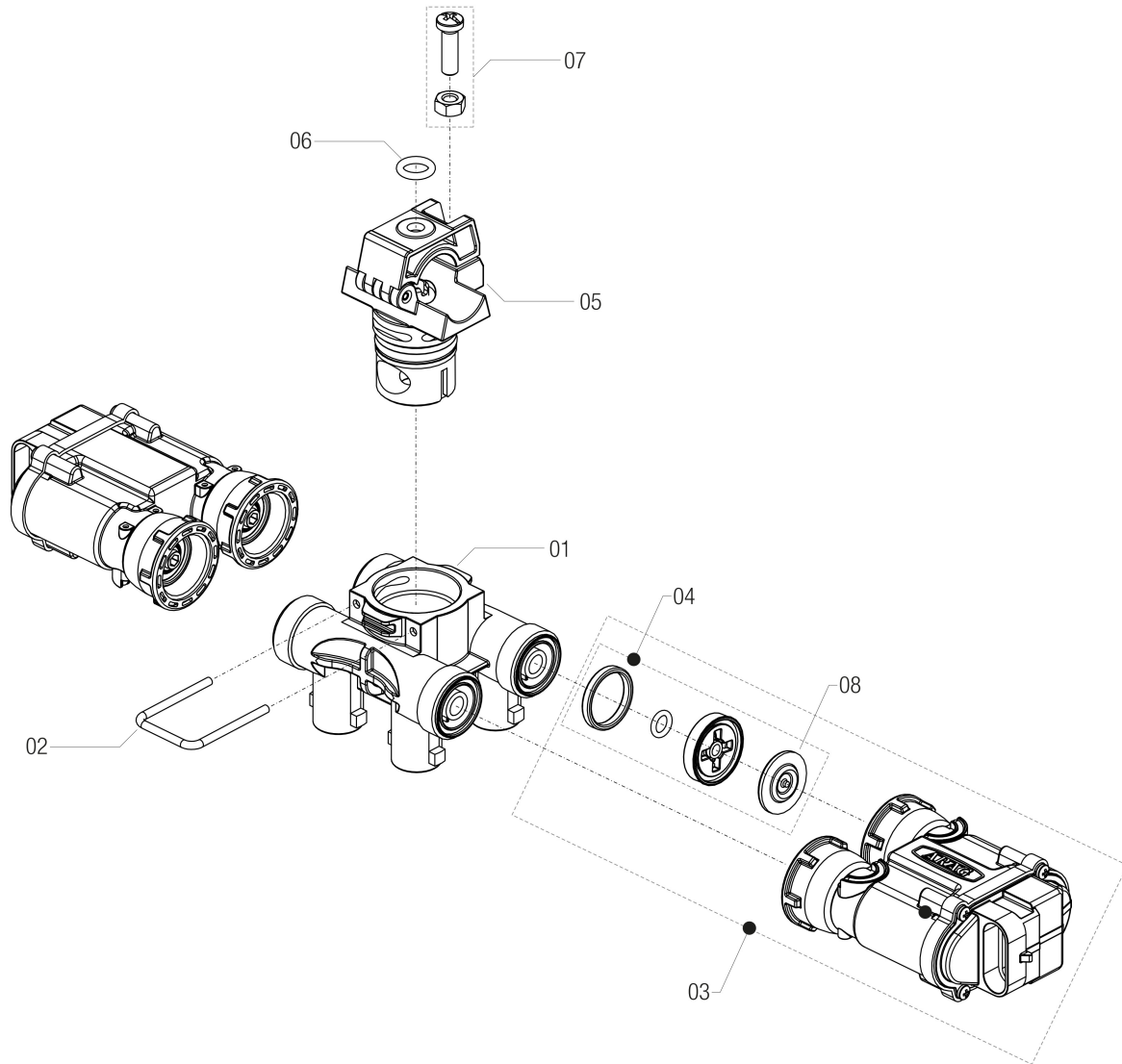


SELETRON NOZZLE HOLDERS

Fourfold hinged clamp-type crop spraying nozzle holders, equipped with SELETRON valve



REFERENCE	CODE	DESCRIPTION
01	4063900.010	4 WAY SELEJET NOZZLE HOLDER
02	010003	FORK D.3 DIST.29
03	4246500	SELETRON DOUBLE
04	4246000.500	KIT SELETRON REDUCER VITON

REFERENCE	CODE	DESCRIPTION
05	4063040.500	KIT CLAMP/BODY D1/2 F10
06	G11057	OR 2,62X9,13 EPDM
07	400101	KIT BOLT AND NUT M6 * INOX
08	4246000.221V	SELETRON DIAPHRAGM VITON