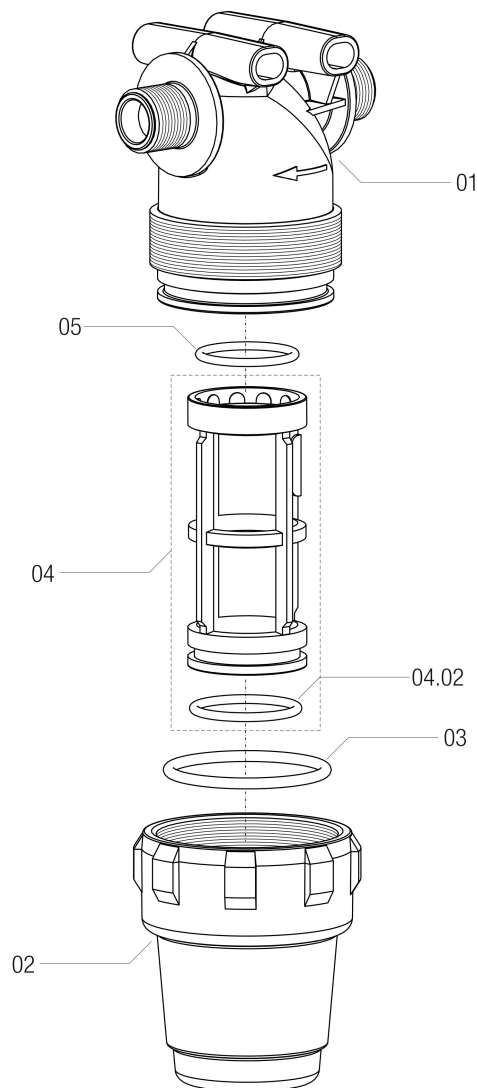


Il colore del tappo  
corrisponde alla meshatura  
della cartuccia filtro  
*The colour of the cap is  
related to the mesh of  
the cartridge selected*



REFERENCE	CODE	DESCRIPTION
01	3222A020.010	BODY LITTLE LINE FILTER 1/2"M
02	3222A000.020	CAP LITTLE LINE FILTER PA66SV
03	G10062	OR 3,53X47,22 EPDM
04	32220035.030	FILTER ELEMENT 38X89 YELLOW 80M

REFERENCE	CODE	DESCRIPTION
04.02	322000.050	GASKET (OR) 2,62X28,25 3112 EPDM
05	322000.050	GASKET (OR) 2,62X28,25 3112 EPDM
06	31020035.012	YELLOW CAP 80M